

BMP

Mechanical

| | |
|------------------------------|--------------------|
| Recommended Travel: | .050 (1.27) |
| Full Travel: | .062 (1.57) |
| Direction of Rotation: | Counter clock wise |
| Scribed Diameter: | .050 (1.27) |
| Special diameters available. | |

Electrical (Static Conditions)

| | |
|-------------------------|--------------------------------|
| Current Rating: | 50 mA |
| Voltage Rating: | 15VDC |
| Recommended Duty Cycle: | 1 sec. On (min.) 5 sec. Off |

Materials and Finishes

| | |
|--------------|-----------------|
| Plunger Tip: | Carbide |
| Receptacle: | Stainless Steel |

Mounting

| | |
|------------------|-------------------------|
| BMP-1 / BMP-1-S | |
| Hole diameter: | Ø .468 (11.89) |
| Suggested drill: | 15/32 (in.) or 11.90 mm |
| BMP-3 | |
| Hole diameter: | Ø .610 (15.50) |
| Suggested drill: | 39/64 (in.) or 15.50 mm |

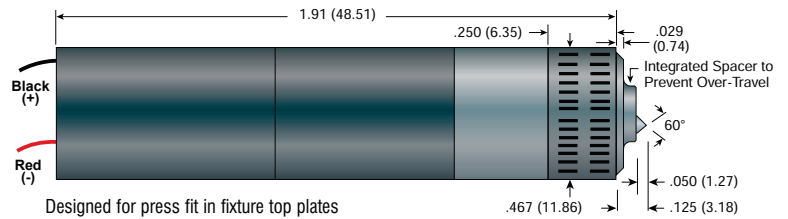
Order Number

| | |
|-------------------|---------------------------|
| Board Marker: | BMP-1 BMP-1-S BMP-3 |
| Spare Receptacle: | BMR-1 BMR-3 |
| Replacement Tip: | BMT-1 |

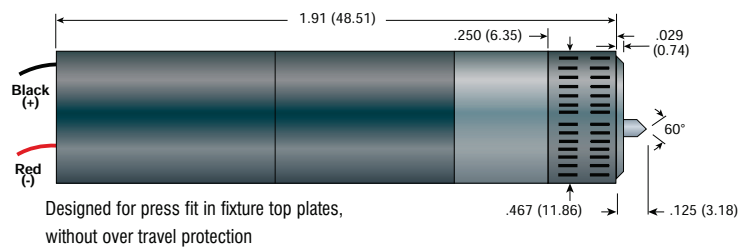
Tools

| | |
|----------------------------|---------|
| Insertion tool for BMR-1: | RIT-BMP |
| Extraction tool for BMR-1: | EXT-BMP |

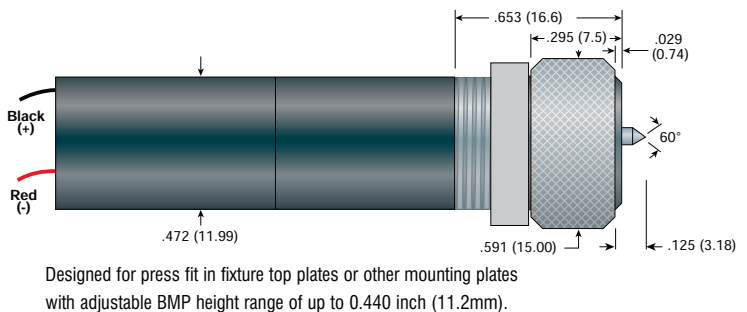
BMP-1



BMP-1-S



BMP-3



Applications

The BMP Board Marker Probe patented design is for installation on bare board or loaded board test fixtures. When your tester is equipped with the appropriate electronics and software, the BMP scribes a permanent .050" circle on every "passed" PCB or device tested. Boards that fail the test are not marked. The risk of human error is eliminated in PCB testing and sorting.

The unit requires less than .500" of fixture area. It is designed to mark board areas of bare glass (FR4), solder mask over glass or copper, or bare tinned copper.

The BMP includes a mounting receptacle and a motor/transmission assembly. It can be easily removed from the receptacle for use in other fixtures. Spare receptacles and tip replacement assemblies are available. The thread between receptacle and housing is 7/16-20 UNF.

Application Examples

- Bare Board Test
- Loaded Board Test
- Connector / Wire Harness

Benefits

- Hands Free Operation
- No Hazardous Consumables
- Durable
- > 50,000 Cycles before Tip Replacement
- Easy to Fixture

Features

- Permanent Mark
- Controllable Mark Intensity
- Driven by Test Program
- MicroGrain Carbide Tip
- Replaceable Tip

