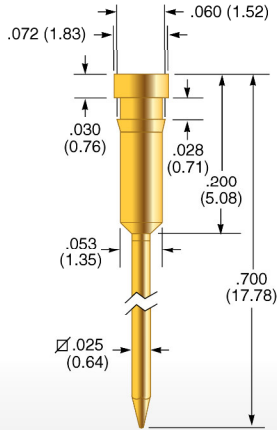


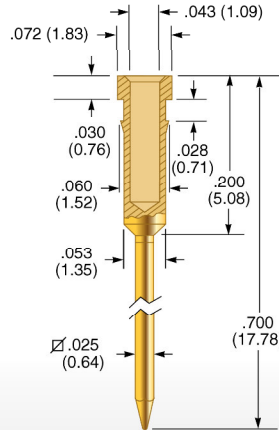
# SIP-90 GPP-95

SIP-90-2



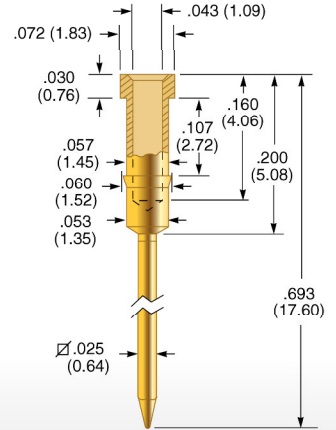
**Application** GenRad  
**Material** Brass, Gold plated  
**Hole diameter**  $\varnothing .055 (1.40)$   
**Suggested drill** #54 or 1.40 mm

SIP-90-3



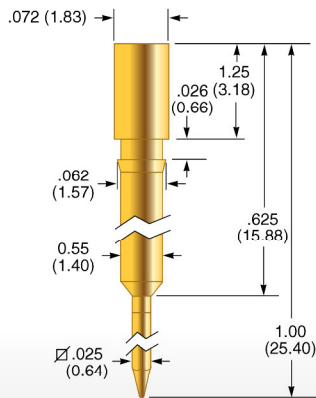
**Application** Factron  
**Material** Brass, Gold plated  
**Hole diameter**  $\varnothing .055 (1.40)$   
**Suggested drill** #54 or 1.40 mm

SIP-90-4



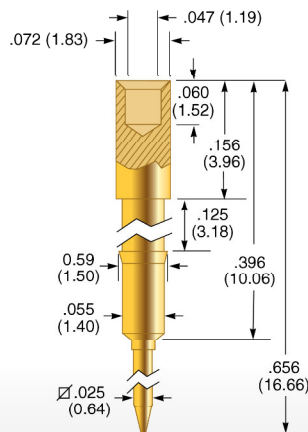
**Application** General Interconnect  
**Material** Brass, Gold plated  
**Hole diameter**  $\varnothing .057 (1.45)$   
**Suggested drill** 1.45 mm

SIP-90-5



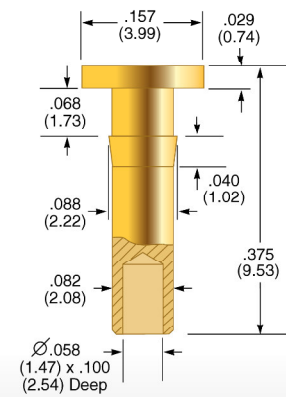
**Application** Zehntel  
**Material** Brass, Gold plated  
**Hole diameter**  $\varnothing .055 (1.40)$   
**Suggested drill** #54 or 1.40 mm

SIP-90-6



**Application** General Interconnect  
**Material** Brass, Gold plated  
**Hole diameter**  $\varnothing .057 (1.45)$   
**Suggested drill** 1.45 mm

GPP-95-2



**Application** GenRad  
**Material** Brass, Gold plated  
**Hole diameter**  $\varnothing .085 (2.15)$   
**Suggested drill** #44 or 2.15 mm