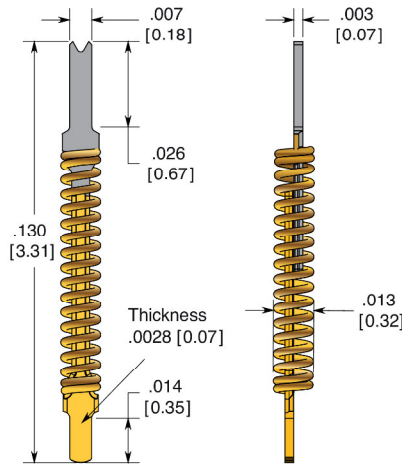


# Z-040

0.40 mm

## Z-040



### Mechanical

Pitch:	.016 (0.40)
Recommended Travel:	.025 (0.64)
Full Travel:	.028 (0.71)
Test Height:	.105 (2.67)
Mechanical Life*:	
HyperCore DUT plunger:	500,000 cycles
BeCu DUT plunger:	50,000 cycles
Operating Temperature:	-55°C to +155°C
Spring Force in oz. (grams):	1.20 (34)

### Electrical (Static Conditions)

Current Rating DC:	2.0 amps
Average DC Probe Resistance** :	<85 mOhms
Self Inductance (Ls):	1.07 nH
Capacitance (Cc):	0.21 pF
Bandwidth @ -1dB:	30.0 GHz

### Materials and Finishes

Plunger DUT:	HyperCore™, BeCu Gold plated
Plunger HIB:	BeCu with proprietary plating
Spring:	Stainless Steel, Gold plated

### HIGH Bandwidth

The ZIP® Z High Bandwidth Series yields the highest and most stable bandwidth for its package size. The high performance provided by these contacts makes the Z series a perfect choice for the most demanding test applications. High Bandwidth probes are available in .4mm and .5mm pitches. The Z series is offered in two DUT-side plunger material choices: HyperCore for high volume production applications and BeCu for burn-in or low volume applications.

#### Tip Style - DUT HyperCore



#### Tip Style - DUT BeCu



#### Tip Style - HIB



\* Life specifications are based on lab results but are dependent on cleaning frequency and the specific customer application, including DUT materials, handler kit, maintenance, etc.  
 \*\* Contact resistance will increase over time due to solder build-up and wear

Dimensions in inches (millimeters). Specifications subject to change without notice.  
 Consult factory for other temperature requirements, and applications below -40°C.  
 Stocking Disclaimer: Stocking levels for part numbers listed in this catalog are subject to change.  
 Availability is based on current levels of usage and demand.

