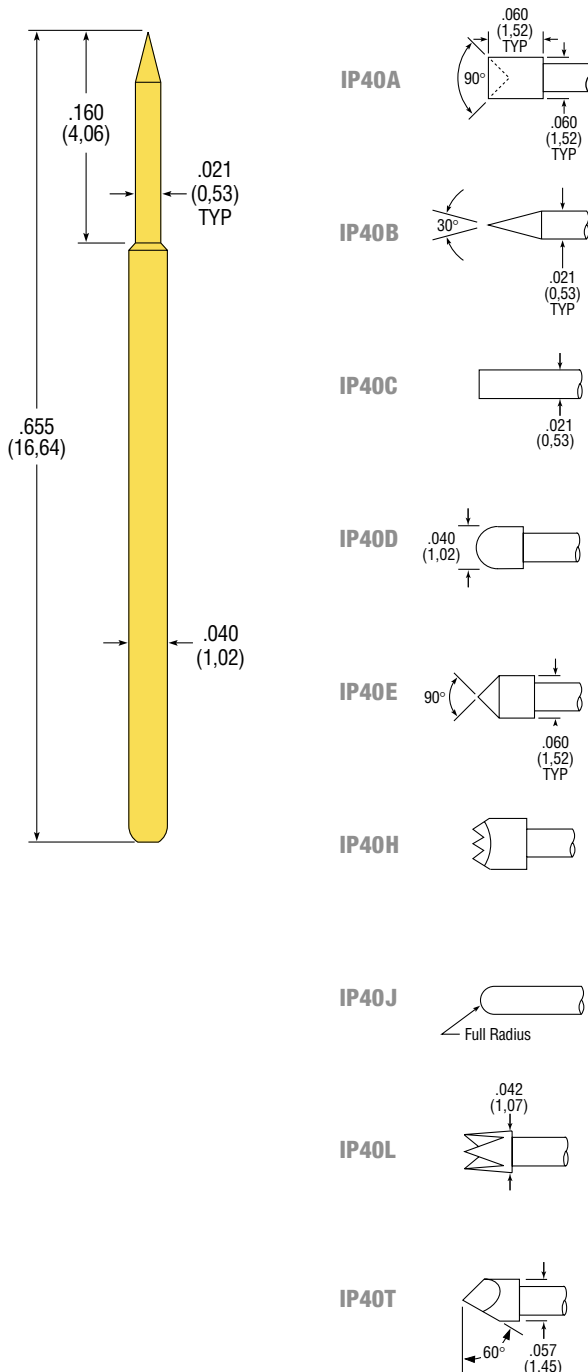


IP40

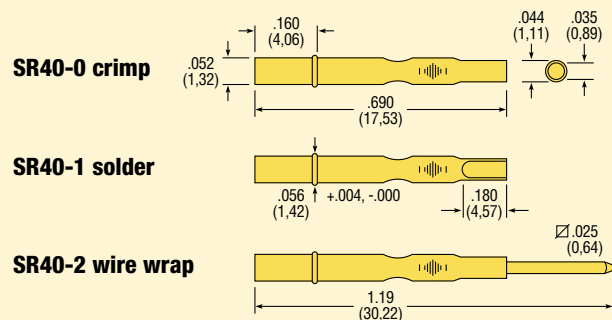
Test Probes for Bare and Loaded PCB Testing



SPECIFICATIONS

PROBE SERIES	IP40
Test Centers	.075 (1,91)
Mechanical	
Max. Plunger Travel	.100 (2,54)
Recom. Working Travel	.067 (1,70)
Mechanical Life (cycles)	>1,000,000
Spring Pressure	
Light: initial	1.1 oz. (31g)
@ working travel	2.5 oz. (71g)
Heavy: initial	1.3 oz. (37g)
-1 @ working travel	4.5 oz. (128g)
Materials & Finishes	
Plunger	Hardened Beryllium Copper, Gold plated over Nickel plate
Barrel	Work hardened Phosphor Bronze, Gold plated (I.D. & O.D.) over Nickel plate
Spring	Stainless Steel, Silver plated
Operating Range (typical)	-55°C to + 150°C
Electrical	
Current Rating (static conditions)	3 amps
Avg. Resistance (mOHMS)	35

RECEPTACLE SERIES	SR40 (Uses Insertion Tool #ARIT40)
Mounting Hole Size	.053/.055 (1,35/1,40)
Suggested Drill Size	#54 or 1,4 mm
Suggested Wire Gauge	24-28 AWG
Materials & Finishes	Work hardened Nickel Silver, Gold plated over Nickel plate
Terminations	Crimp, solder, wire wrap



Specifications subject to change without notice.
 Drawings not to scale.
 Optional tip styles, spring pressures, and materials available, contact factory for more information.

ORDERING INFORMATION: To order, specify tip style and spring pressure. Example: IP40A is an "A" tip with a light spring. For a heavy spring pressure, add -1 to the model number, i.e., IP40A-1.